

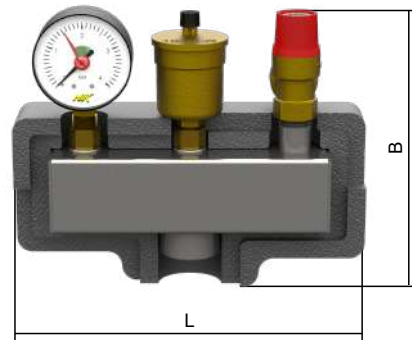
## Boiler safety unit SG

Up to 350 kW output

- Mounting assembly for self-contained heating systems
- Ready for use - equipped with:
  - manometer Ø63/4 bar/3/8" with automatic shut-off valve
  - 3/8" quick air bleeding system with automatic shut-off valve
  - safety valve 3 bar
- EPS insulation 20 mm (acc DIN 4102-B2)
  - Item: EPS insulation for safety units (K2a-K5a)
  - Code: IZOLEPS-SG



- Manometer and bleeding valve connections: internal thread G 3/8"
- Galvanized (HRN EN ISO 2081) and chromated (DIN 50962)

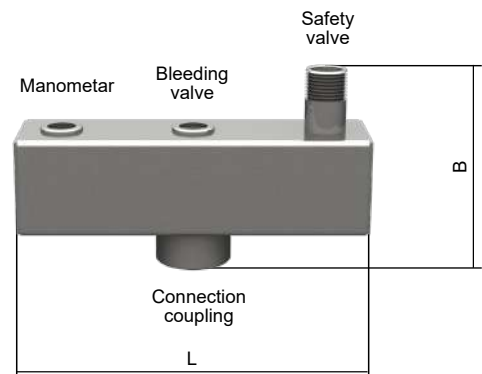


	Type	Built-in length L [mm]	Built-in height B [mm]	Connection coupling	Safety valve	Output [kW]	Code
<b>Boiler safety unit SG with insulation</b>	SG/I 50	230	185	internal thread G 1"	1/2"	50	<b>860 050</b>
	SG/I 100	230	200	internal thread G 1"	3/4"	100	<b>860 100</b>
	SG/I 200	230	225	internal thread G 1"	1"	200	<b>860 200</b>
	SG/I 350	230	230	internal thread G 1 1/4"	1 1/4"	350	<b>860 350</b>

## Steel chamber for boiler safety unit SG

Up to 350 kW output

- Mounting assembly for self-contained heating systems
- Manometer and bleeding valve connections: internal thread G 3/8"
- Safety valve connection
- Galvanized (HRN EN ISO 2081) and chromated (DIN 50962)



Type	Built-in length L [mm]	Built-in height B [mm]	Connection coupling	Safety valve	Output [kW]	Code
K2a (SG 50)	180	102	internal thread G 1"	external thread R 1/2"	50	<b>860 212</b>
K3a (SG 100)	180	105	internal thread G 1"	external thread R 3/4"	100	<b>860 213</b>
K4a (SG 200)	180	110	internal thread G 1"	external thread R 1"	200	<b>860 214</b>
K5a (SG 350)	180	115	internal thread G 1 1/4"	external thread R 1 1/4"	350	<b>860 215</b>