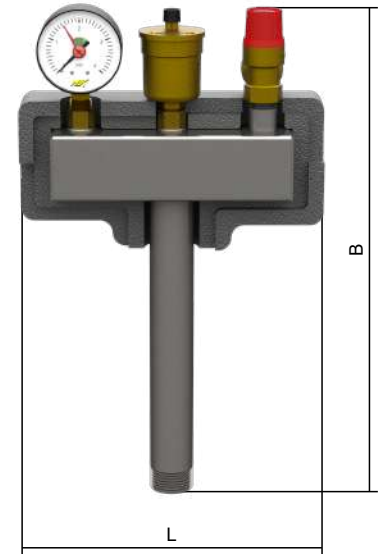


## Boiler safety unit SG DD

Up to 350 kW output

- Mounting assembly for self-contained heating systems
- Manometer and bleeding valve connections: internal thread G 3/8"
- Galvanized (HRN EN ISO 2081) and chromated (DIN 50962)
- Ready for use - equipped with:
  - manometer Ø63/4 bar/3/8" with automatic shut-off valve
  - 3/8" quick air bleeding system with automatic shut-off valve
  - safety valve 3 bar
  - EPS insulation 20 mm (acc. DIN 4102-B2)
    - Item: EPS insulation for safety units (K2a-K5a)
    - Code: IZOLEPS-SG



### MIK Boiler safety unit SG DD with insulation

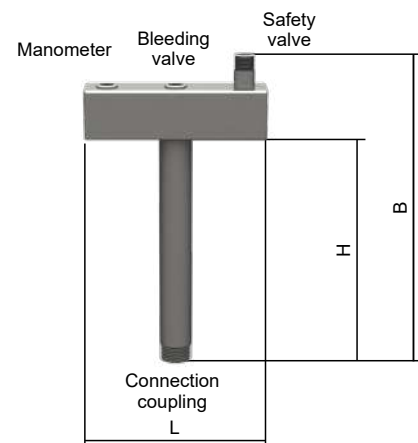


Type	Built-in length L [mm]	Built-in height B [mm]	Connection coupling	Safety valve	Output [kW]	Code
SG/I 50 DD	230	380	external thread R 1"	1/2"	50	<b>860 050 DD</b>
SG/I 100 DD	230	395	external thread R 1"	3/4"	100	<b>860 100 DD</b>
SG/I 200 DD	230	420	external thread R 1"	1"	200	<b>860 200 DD</b>
SG/I 350 DD	230	425	external thread R 1 1/4"	1 1/4"	350	<b>860 350 DD</b>

## Steel chamber for boiler safety unit SG DD

Up to 350 kW output

- Mounting assembly for self-contained heating systems
- Manometer and bleeding valve connections: internal thread G 3/8"
- Safety valve connection
- Galvanized (HRN EN ISO 2081) and chromated (DIN 50962)



Type	Built-in length L [mm]	Built-in height B [mm]	Connection coupling	Connection length H [mm]	Safety valve	Output [kW]	Code
K2a DD (SG 50 DD)	180	319	external thread R 1"	237	external thread R 1/2"	50	<b>860 312</b>
K3a DD (SG 100 DD)	180	322	external thread R 1"	237	external thread R 3/4"	100	<b>860 313</b>
K4a DD (SG 200 DD)	180	327	external thread R 1"	237	external thread R 1"	200	<b>860 314</b>
K5a DD (SG 350 DD)	180	332	external thread R 1 1/4"	239	external thread R 1 1/4"	350	<b>860 315</b>