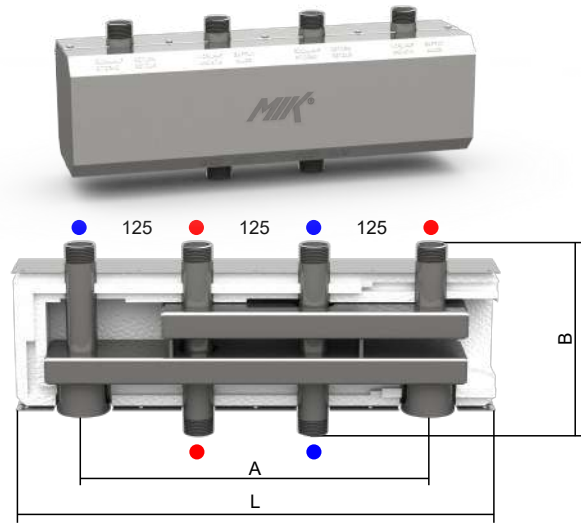


Combined supply-return manifold HVI

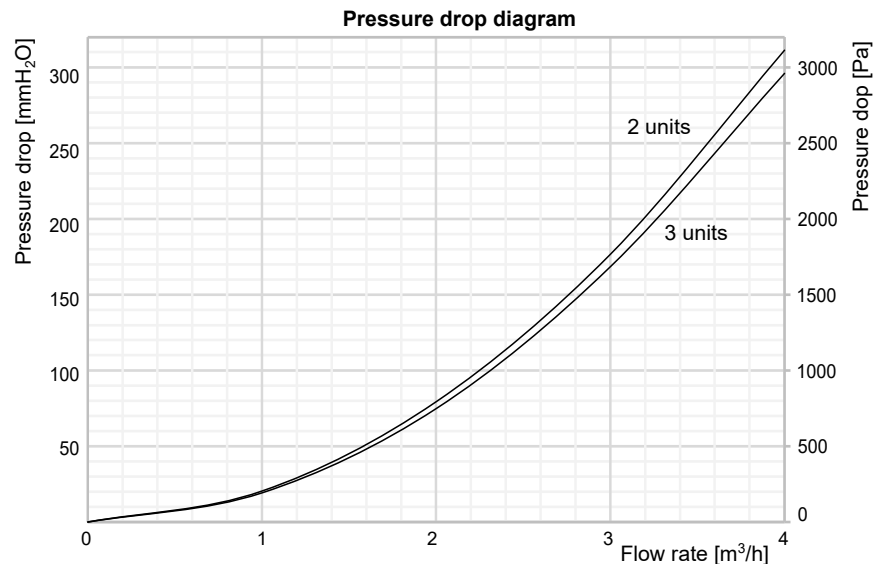
Up to 50 kW output at a temperature difference of 20 °C and flow rate of 2,3 m³/h

- 2 to 7 heating/cooling circuits
- Boiler connections underneath
- Consumer connections above
- Supply and return connections located side by side
- Compact construction with integrated supply and return
- Supply and return chambers thermally separated
- Material: S235 carbon steel
- Zinc flake coated chambers flZn-nc-480h acc. DIN EN ISO 10683
- Insulation for heating or cooling with 0,6 mm galvanised sheet steel jacket
- Supply and return markings stamped into sheet steel jacket



Technical specification

Boiler connections	external thread R 1"
Consumer connections	external thread R 1"
Insulation _{Heating}	EPS 35 mm (DIN 4102-B2)
Insulation _{Cooling}	FEF 19 mm (EN 14304)
Max. working temperature _{EPS}	90 °C
Max. working temperature _{FEF}	85 °C
Max. working pressure	6 bar
K _{vs} value	22,8
Connections distance	125 mm
Installation height, B	210 mm
Insulation height	155 mm
Produced acc.	2014/68/EU



Type	Built-in length L [mm]	Offset of supports A [mm]	Consumer units	Code
HVI-2	520	375	2	841 102
HVI-3	770	375	3	841 103
HVI-4	1020	625	4	841 104
HVI-5	1270	625	5	841 105
HVI-6	1520	875	6	841 106
HVI-7	1770	875	7	841 107



MIK Wall mountings WK 80

- 160 or 220 mm distance from manifold centre to wall
- Galvanized (HRN EN ISO 2081) and chromated (DIN 50962)
- The kit includes screws, dowels, washers and damping elements
- Pack contents 2 pcs.
- Code: **840 010** (160 mm)
- **840 011** (220 mm)



MIK Wall mountings H-HW

- 160 or 220 mm distance from manifold centre to wall
- Galvanized (HRN EN ISO 2081) and chromated (DIN 50962)
- The kit includes screws and dowels
- Pack contents 2 pcs.
- Code: **850 101** (160 mm)
- **850 102** (220 mm)

