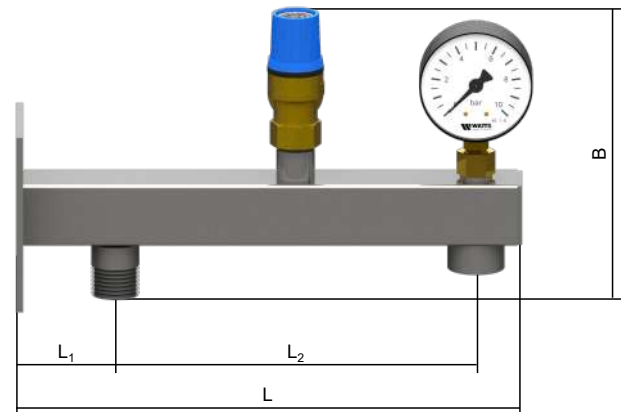
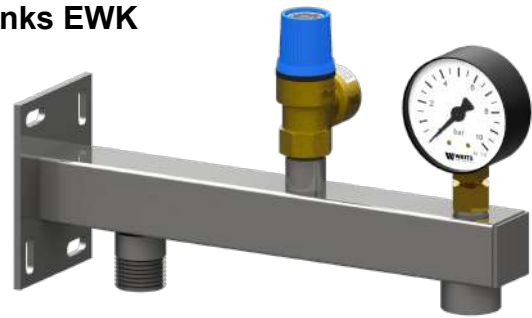


Stainless steel multi-function units for expansion tanks EWK

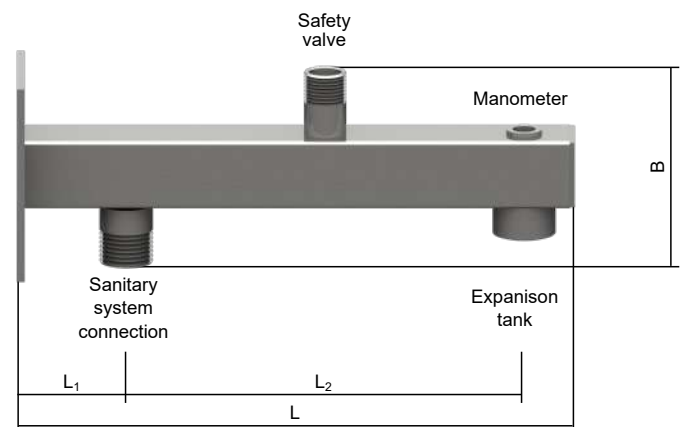
- Mounting assembly for sanitary systems
- Material: stainless steel X5 CrNi 18-10
- Sanitary system connection: external thread R 3/4"
- Expansion tank connection: internal thread G 3/4"
- Ready for use - equipped with:
 - manometer Ø63/10/ bar/1/4" with automatic shut-off valve
 - safety valve 1/2"/10 bar
- Expansion tank is connected via an automatic quick-disconnect coupling



Type	Built-in length L [mm]	Offset L ₁ [mm]	Offset L ₂ [mm]	Built-in height B [mm]	Safety valve	Manometer	Code
EWK 2	280,5	55	200	160	1/2"/10 bar	Ø63/10/ bar/1/4"	860 135

Stainless steel chamber console for EWK

- Application in sanitary systems
- Material: stainless steel X5 CrNi 18-10
- Sanitary system connection: external thread R 3/4"
- Expansion tank connection: internal thread G 3/4"
- Safety valve connection: external thread R 1/2"
- Manometer connection
- Expansion tank is connected via an automatic quick-disconnect coupling



Type	Built-in length L [mm]	Offset L ₁ [mm]	Offset L ₂ [mm]	Built-in height B [mm]	Manometer connection	Code
EWK 1 console	280,5	55	200	99	internal thread G 3/8"	860 114
EWK 2 console	280,5	55	200	99	internal thread G 1/4"	860 115