

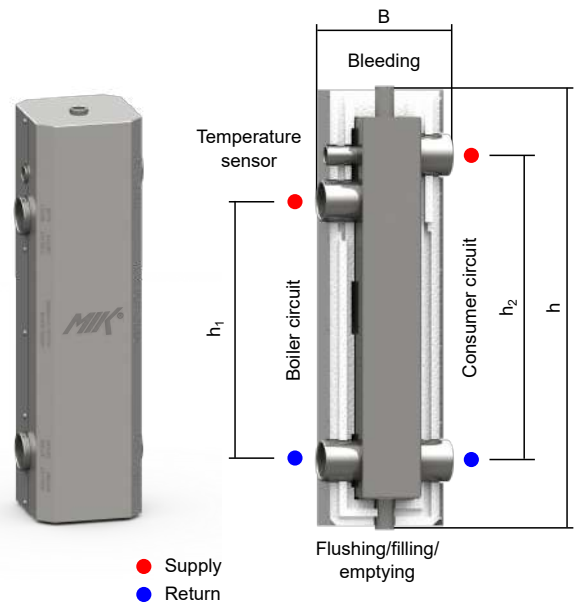
## Hydraulic separator HW 80/400

Flow rates up to 7 m<sup>3</sup>/h

- Material: S235 carbon steel
- Zinc flake coated chamber flZn-nc-480h acc. DIN EN ISO 10683
- Insulation for heating or cooling with 0,6 mm galvanised sheet steel jacket
- Supply/return and boiler/consumer markings stamped into sheet steel jacket
- Bleeding and flushing/filling/emptying connections
- Temperature sensor connection

### Technical specification

Boiler connections	internal thread G 1 1/2"
Consumer connections	internal thread G 1 1/2"
Insulation <sub>Heating</sub>	EPS 35 mm (DIN 4102-B2)
Insulation <sub>Cooling</sub>	FEF 19 mm (EN 14304)
Max. working temperature <sub>EPS</sub>	90 °C
Max. working temperature <sub>FEF</sub>	85 °C
Max. working pressure	6 bar
Bleeding	internal thread G 1/2"
Temperature sensor	internal thread G 1/2"
Flushing/filling/emptying	internal thread G 1/2"



Type	Built-in height h [mm]	Built-in width B [mm]	Boiler connections distance h <sub>1</sub> [mm]	Consumer connections distance h <sub>2</sub> [mm]	Code
HW 80/400	580	172	340	400	<b>850 010</b>

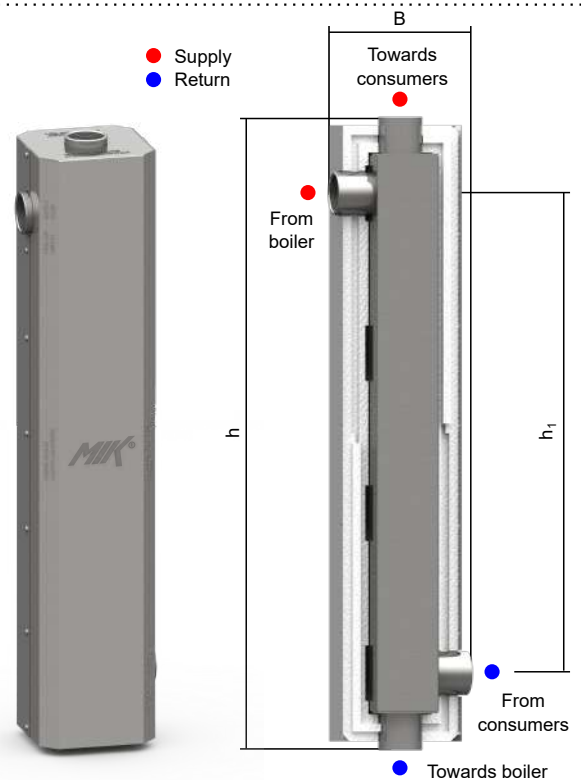
## Hydraulic separator HW 80

Flow rates up to 7 m<sup>3</sup>/h

- Material: S235 carbon steel
- Zinc flake coated chamber flZn-nc-480h acc. DIN EN ISO 10683
- Insulation for heating or cooling with 0,6 mm galvanised sheet steel jacket
- Supply/return and boiler/consumer markings stamped into sheet steel jacket

### Technical specification

Boiler connections	internal thread G 1 1/2"
Consumer connections	internal thread G 1 1/2"
Insulation <sub>Heating</sub>	EPS 35 mm (DIN 4102-B2)
Insulation <sub>Cooling</sub>	FEF 19 mm (EN 14304)
Max. working temperature <sub>EPS</sub>	90 °C
Max. working temperature <sub>FEF</sub>	85 °C
Max. working pressure	6 bar



Type	Built-in height h [mm]	Built-in width B [mm]	Connections distance h <sub>1</sub> [mm]	Code
HW 80	792	172	600	<b>850 006</b>

## MIK Wall mountings H-HW

- 160 or 220 mm distance from separator centre to wall
- Galvanized (HRN EN ISO 2081) and chromated (DIN 50962)
- The kit includes screws and dowels
- Pack contents 2 pcs.
- Code: **850 101** (160 mm)
- 850 102** (220 mm)

