

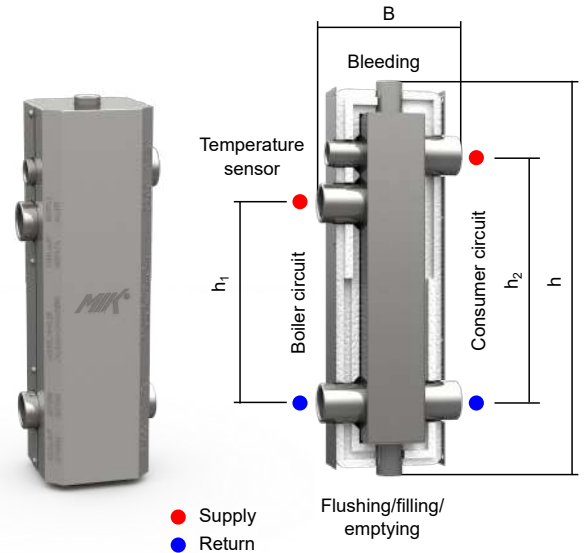
Hydraulic separator HW 60/250

Flow rates up to 3 m³/h

- Material: S235 carbon steel
- Zinc flake coated chamber flZn-nc-480h acc. DIN EN ISO 10683
- Insulation for heating or cooling with 0,6 mm galvanised sheet steel jacket
- Supply/return and boiler/consumer markings stamped into sheet steel jacket
- Bleeding and flushing/filling/emptying connections
- Temperature sensor connection

Technical specification

Boiler connections	internal thread G 1"
Consumer connections	internal thread G 1"
Insulation _{Heating}	EPS 25 mm (DIN 4102-B2)
Insulation _{Cooling}	FEF 19 mm (EN 14304)
Max. working temperature _{EPS}	90 °C
Max. working temperature _{FEF}	85 °C
Max. working pressure	6 bar
Bleeding	internal thread G ½"
Temperature sensor	internal thread G ½"
Flushing/filling/emptying	internal thread G ½"



Type	Built-in height h [mm]	Built-in width B [mm]	Boiler connections distance h ₁ [mm]	Consumer connections distance h ₂ [mm]	Code
HW 60/250	397	142	200	250	850 009

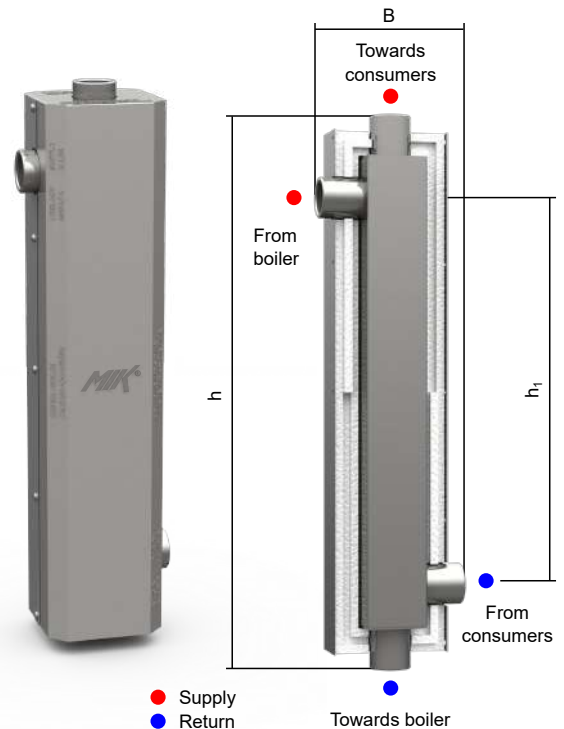
Hydraulic separator HW 60

Flow rates up to 3 m³/h

- Material: S235 carbon steel
- Zinc flake coated chamber flZn-nc-480h acc. DIN EN ISO 10683
- Insulation for heating or cooling with 0,6 mm galvanised sheet steel jacket
- Supply/return and boiler/consumer markings stamped into sheet steel jacket

Technical specification

Boiler connections	internal thread G 1"
Consumer connections	internal thread G 1"
Insulation _{Heating}	EPS 25 mm (DIN 4102-B2)
Insulation _{Cooling}	FEF 19 mm (EN 14304)
Max. working temperature _{EPS}	90 °C
Max. working temperature _{FEF}	85 °C
Max. working pressure	6 bar



Type	Built-in height h [mm]	Built-in width B [mm]	Connections distance h ₁ [mm]	Code
HW 60	536	142	375	850 005

MIK Wall mountings H-HV

- 100 or 150 mm distance from separator centre to wall
- Galvanized (HRN EN ISO 2081) and chromated (DIN 50962)
- The kit includes screws and dowels
- Pack contents 2 pcs.
- Code: **840 007** (100 mm)
- 840 008** (150 mm)

