

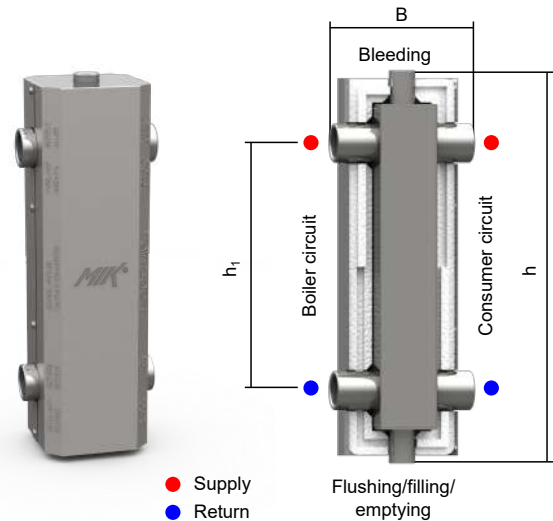
## Hydraulic separator HWK 60-1"

Flow rates up to 3 m<sup>3</sup>/h

- Material: S235 carbon steel
- Zinc flake coated chamber flZn-nc-480h acc. DIN EN ISO 10683
- Insulation for heating or cooling with 0,6 mm galvanised sheet steel jacket
- Supply/return and boiler/consumer markings stamped into sheet steel jacket
- Bleeding and flushing/filling/emptying connections

### Technical specification

Boiler connections	internal thread G 1"
Consumer connections	internal thread G 1"
Insulation <sub>Heating</sub>	EPS 25 mm (DIN 4102-B2)
Insulation <sub>Cooling</sub>	FEF 19 mm (EN 14304)
Max. working temperature <sub>EPS</sub>	90 °C
Max. working temperature <sub>FEF</sub>	85 °C
Max. working pressure	6 bar
Bleeding	internal thread G ½"
Flushing/filling/emptying	internal thread G ½"



Type	Built-in height h [mm]	Built-in width B [mm]	Distance of boiler and consumer connections h <sub>1</sub> [mm]	Code
HWK 60-1"	397	142	250	<b>850 007</b>

## Hydraulic separator HW 60/125-1"

Flow rates up to 3 m<sup>3</sup>/h

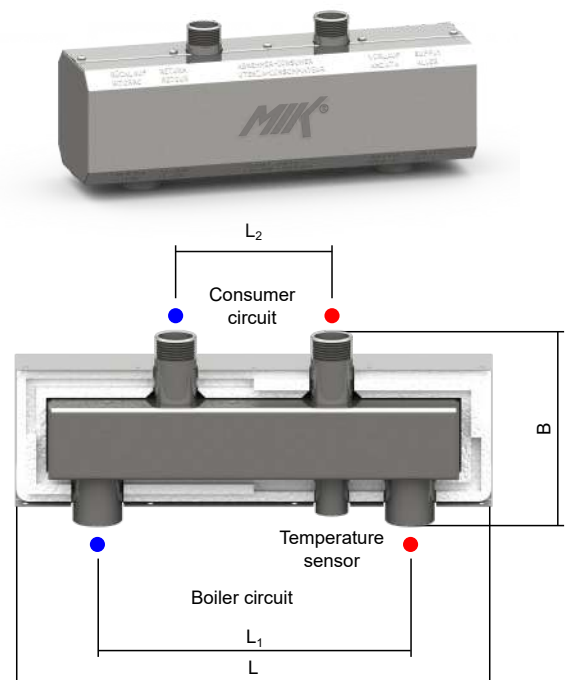
- Material: S235 carbon steel
- Zinc flake coated chamber flZn-nc-480h acc. DIN EN ISO 10683
- Insulation for heating or cooling with 0,6 mm galvanised sheet steel jacket
- Supply/return and boiler/consumer markings stamped into sheet steel jacket
- Temperature sensor connection
- Equipped with two 1" union flat seat fittings



### Technical specification

Boiler connections	internal thread G 1"
Consumer connections	external thread R 1"
Insulation <sub>Heating</sub>	EPS 25 mm (DIN 4102-B2)
Insulation <sub>Cooling</sub>	FEF 19 mm (EN 14304)
Max. working temperature <sub>EPS</sub>	90 °C
Max. working temperature <sub>FEF</sub>	85 °C
Max. working pressure	6 bar
Temperature sensor	internal thread G ½"
Pressure drop at max. recirculation	< 1200 Pa

- Supply
- Return



Type	Built-in length L [mm]	Built-in height B [mm]	Boiler connections distance L <sub>1</sub> [mm]	Consumer connections distance L <sub>2</sub> [mm]	Code
HW 60/125-1"	381	153,5	250	125	<b>850 012</b>

## MIK Wall mountings H-HV

- 100 or 150 mm distance from separator centre to wall
- Galvanized (HRN EN ISO 2081) and chromated (DIN 50962)
- The kit includes screws and dowels
- Pack contents 2 pcs.
- Code: **840 007** (100 mm)  
**840 008** (150 mm)

